

BOX DETAIL SHEET FOR FARM BODIES, SPREADERS AND TENDERS

CORRECT PHYSICAL MEASUREMENTS ARE ESSENTIAL FOR PROPER TARP FIT. PROVIDE ALL REQUESTED INFORMATION OR YOUR ORDER MAY BE DELAYED. **DO NOT** USE UNIVERSAL BOX SIZES. **ALWAYS** USE ACTUAL MEASUREMENTS.

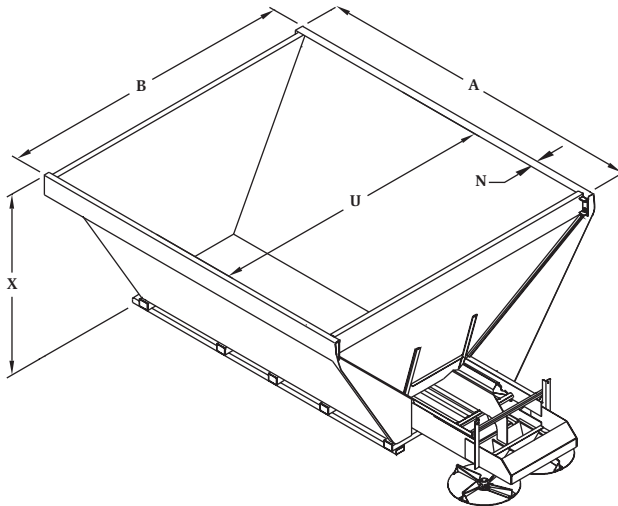
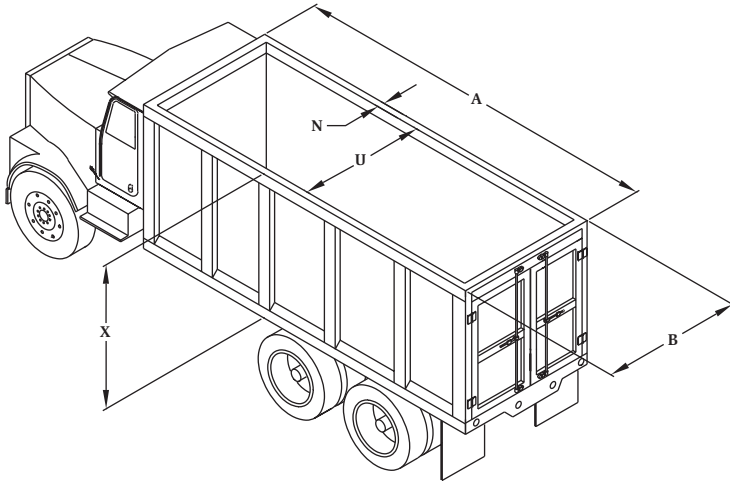
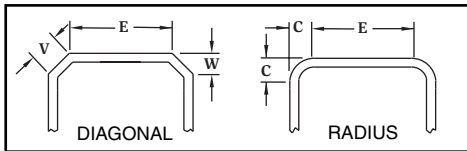


FIGURE 1



CONTACT INFORMATION

G02BD-0512

NAME _____
 ADDRESS _____
 EMAIL _____
 CITY _____ STATE _____ ZIP _____
 PHONE _____ FAX _____
 BOX/TRAILER MAKE _____
 MODEL _____ YEAR _____

BOX DIMENSIONS

A _____ UPPER BOX LENGTH
 B _____ UPPER BOX WIDTH
 Front _____ Center _____ Rear _____
 N _____ TOP RAIL WIDTH
 U _____ INSIDE BOX WIDTH
 X _____ OUTSIDE BOX HEIGHT FROM GROUND

CORNER CONFIGURATION | See Figure 1

SQUARE DIAGONAL RADIUS

C _____ OUTSIDE CORNER RADIUS | For all radius fronts
 E _____ FLAT ACROSS FRONT
 V _____ FLAT ACROSS DIAGONAL
 W _____ DIAGONAL DEPTH

IF SPREADER:

GRANULAR BIN: INSIDE BOX OUTSIDE BOX
 SPREADER STYLE: SELF-PROPELLED AIR SYSTEM
 SPINNER PULL-TYPE SPINNER

IF TENDER:

MOUNTING STYLE: TRUCK TENDER
 SPREADER STYLE: REAR SIDE-FOLD REAR
 REAR OVER BOX

TARP WEIGHT*

18-OZ. 22-OZ.

*Tarps for spreaders ONLY available in 18-oz. fabric weight.

TARP COLOR(S) _____